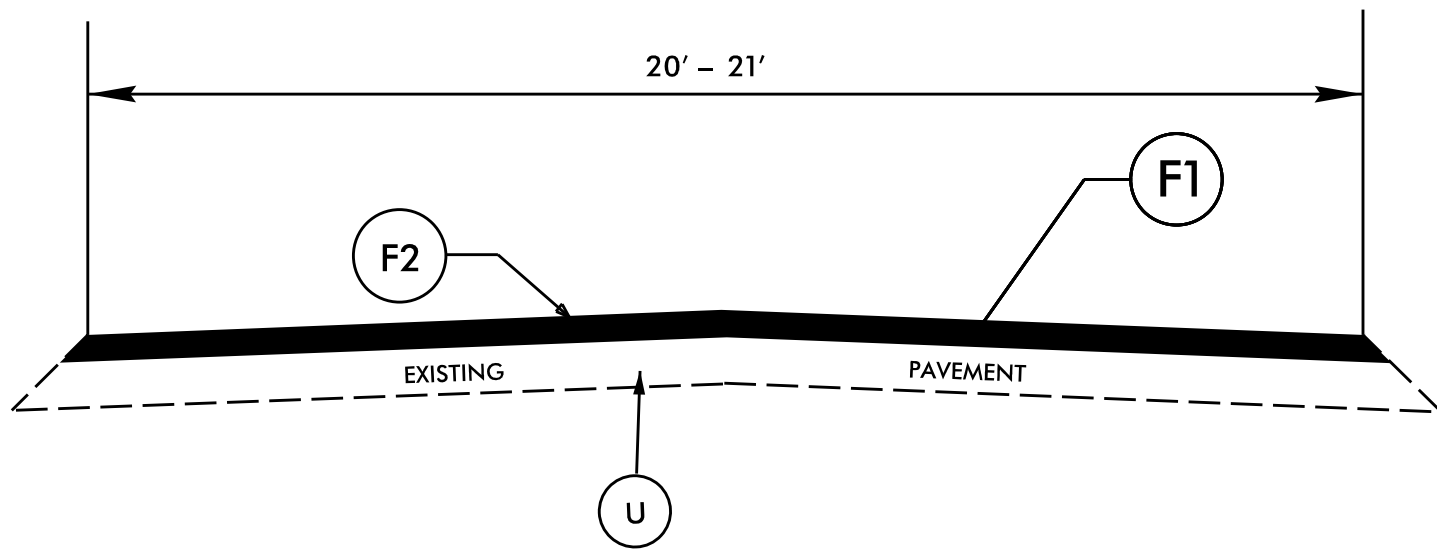
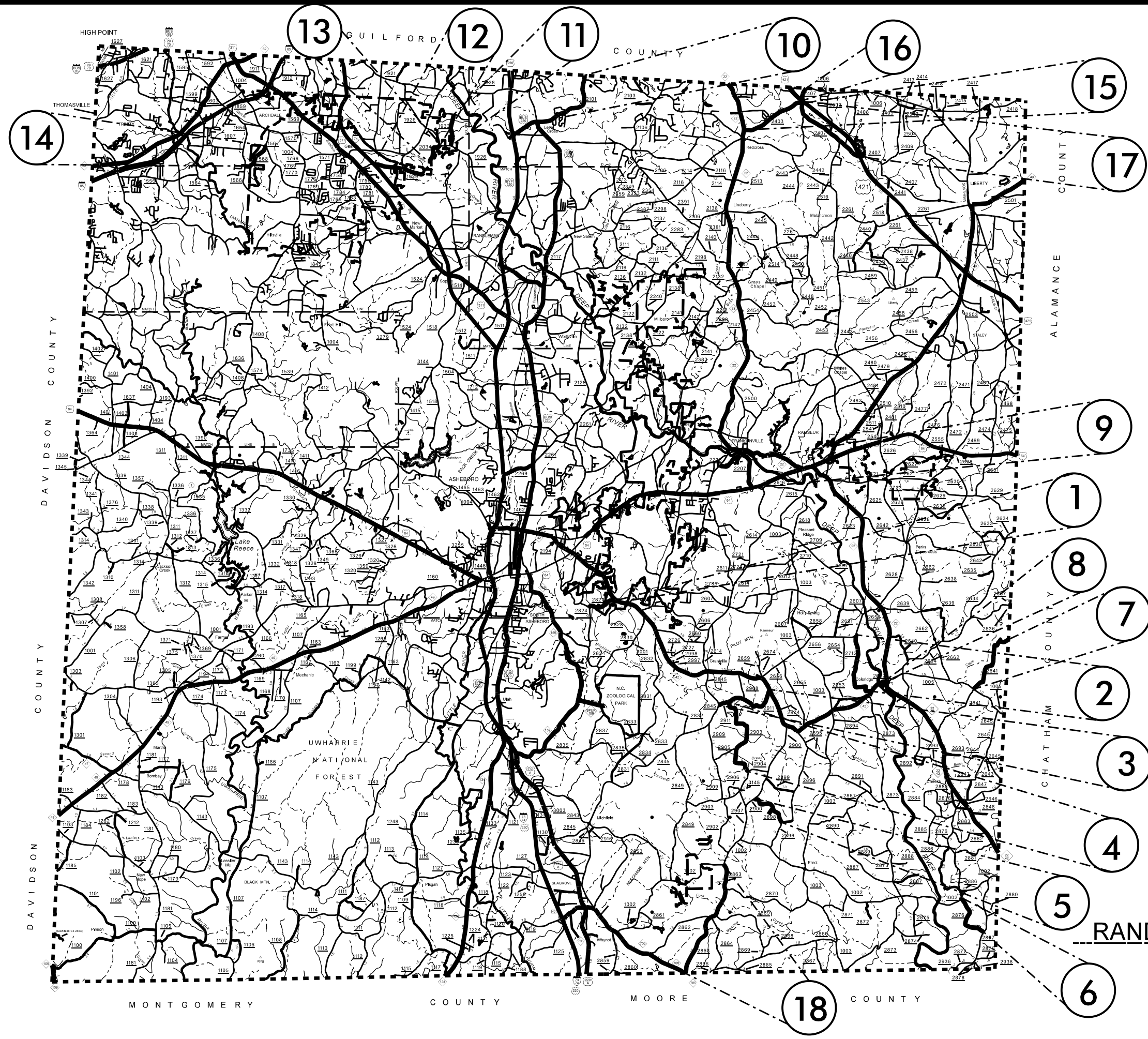


## *TYPICAL SECTION NO. 1*

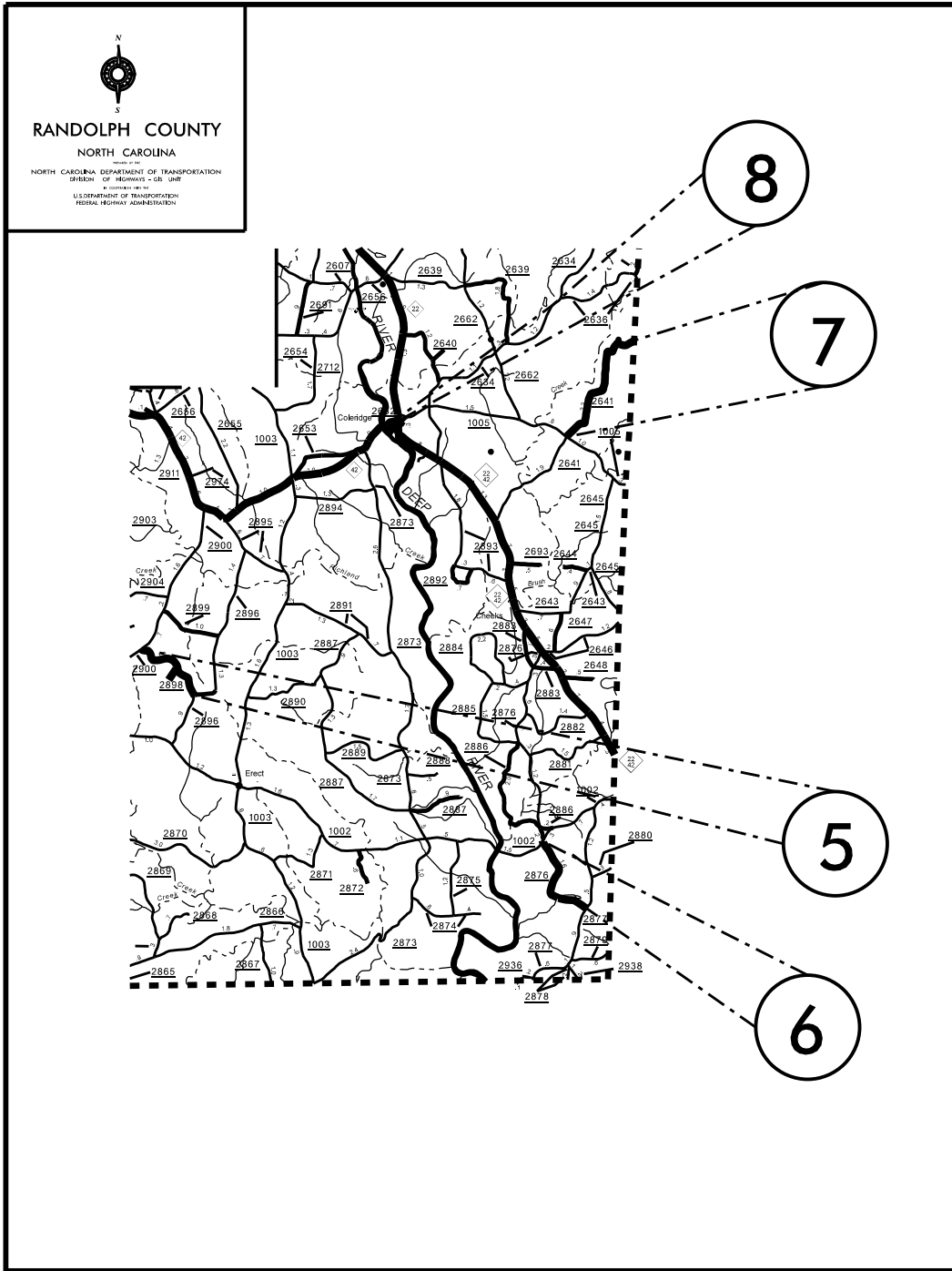
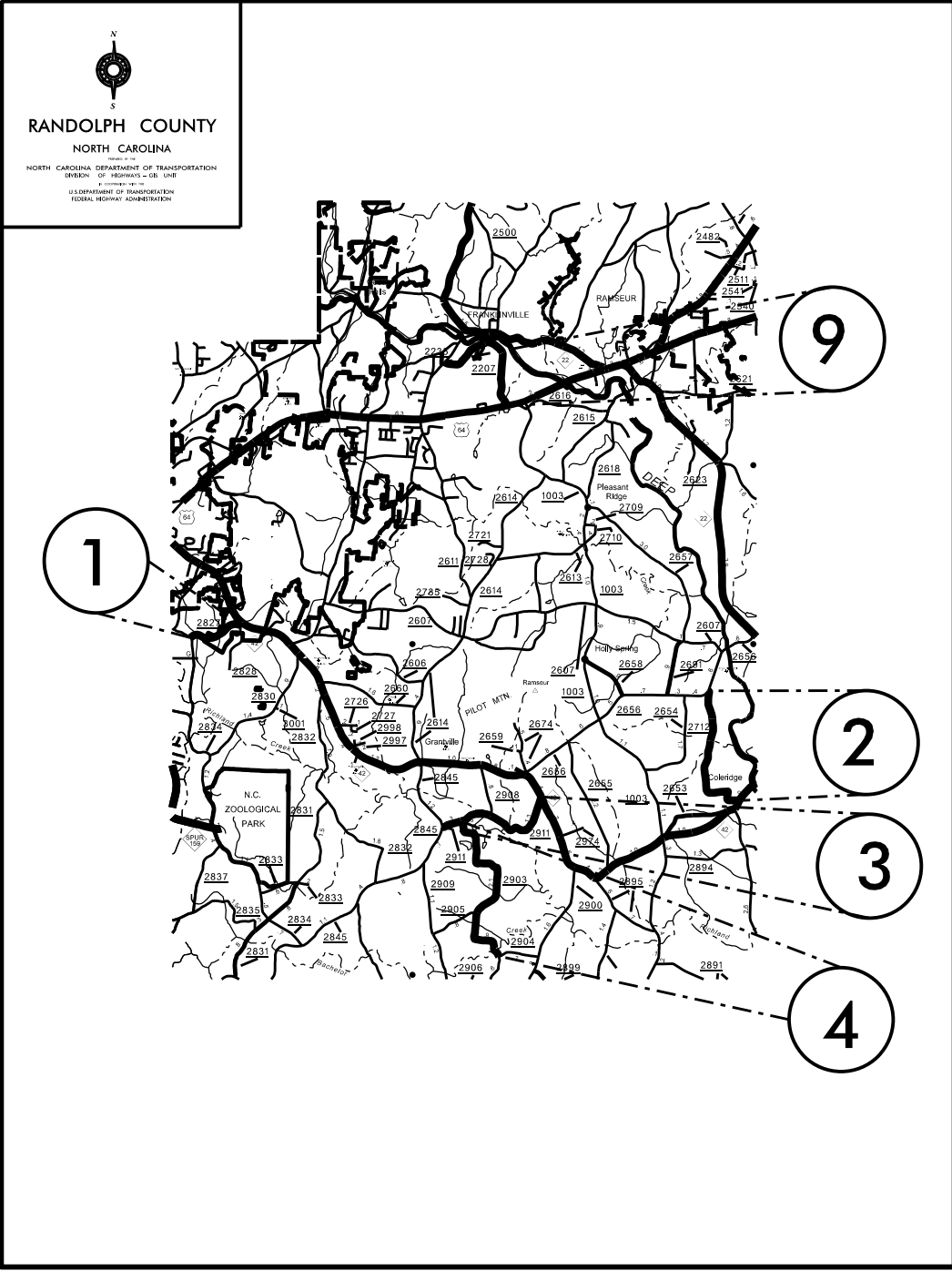


## *TYPICAL SECTION NO. 2*

PAVEMENT SCHEDULE	
F1	PROPOSED ASPHALT SURFACE TREATMENT, DOUBLE SEAL
F2	PROPOSED ASPHALT SURFACE TREATMENT, FOG SEAL
U	EXISTING PAVEMENT



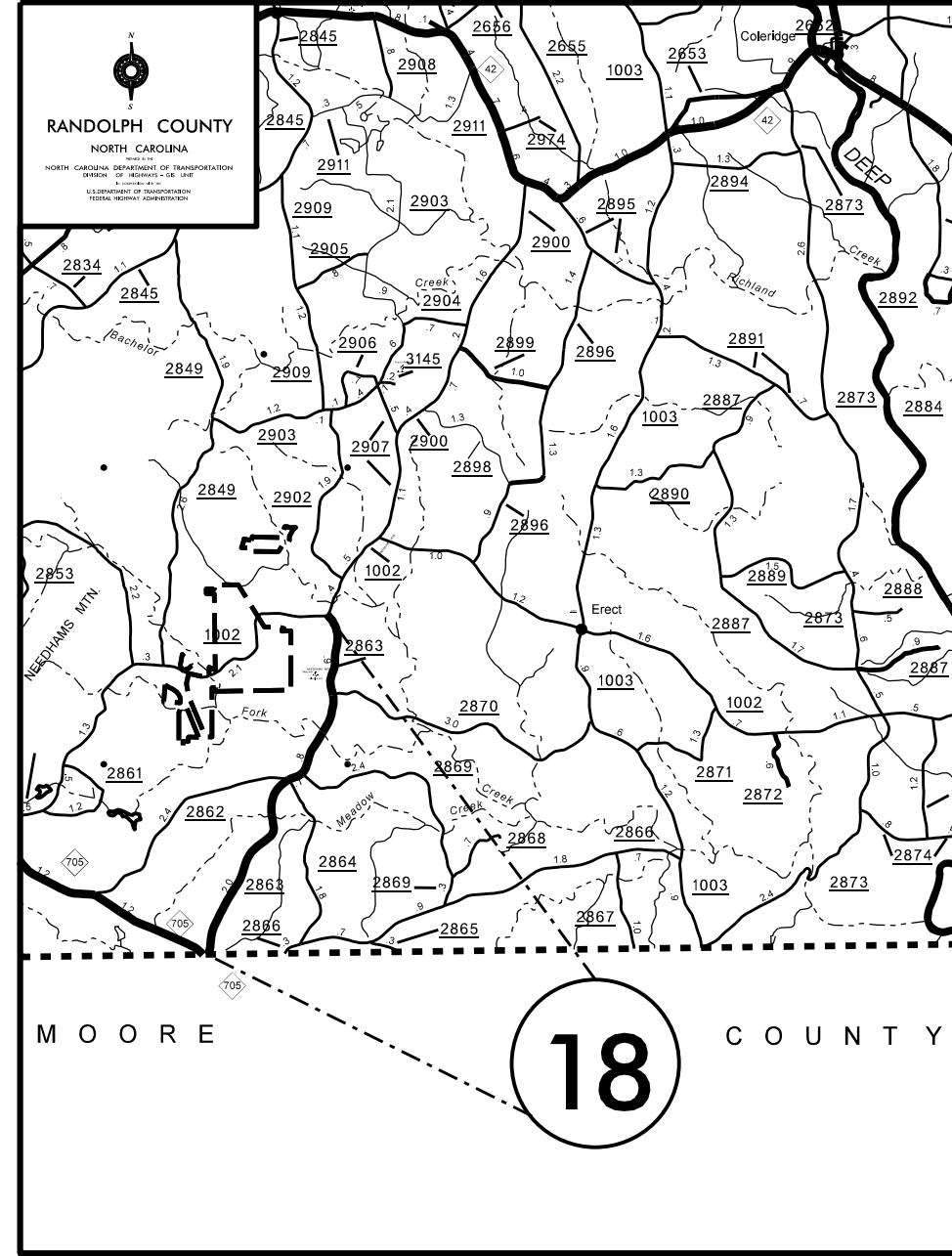
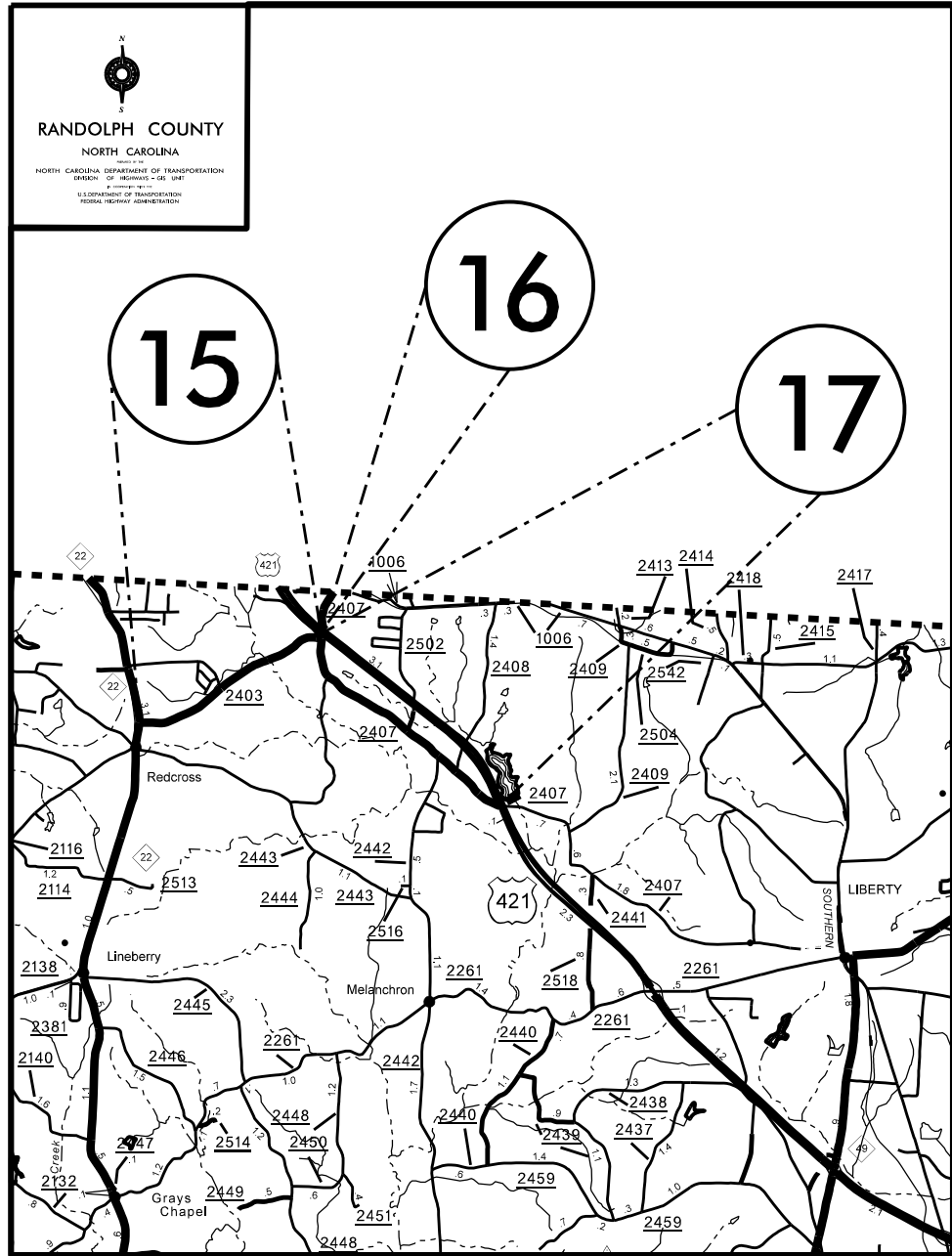
**RANDOLPH COUNTY**  
SEAL MAP



040397

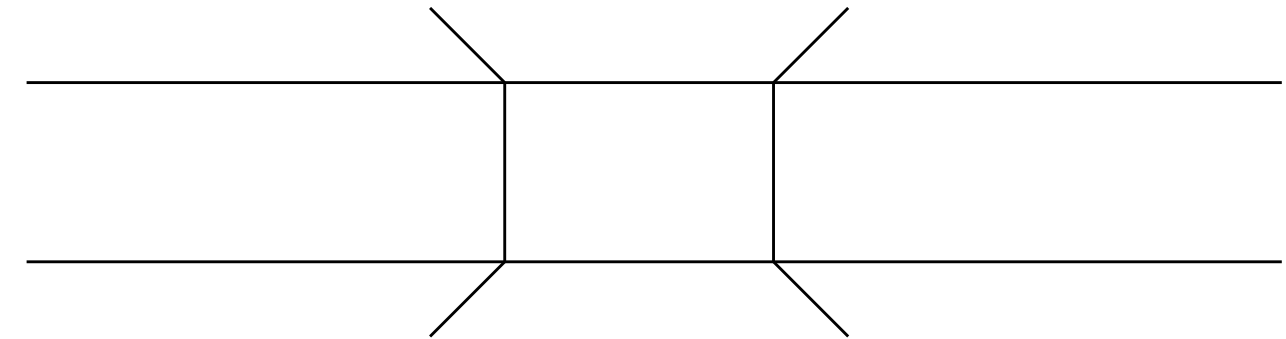
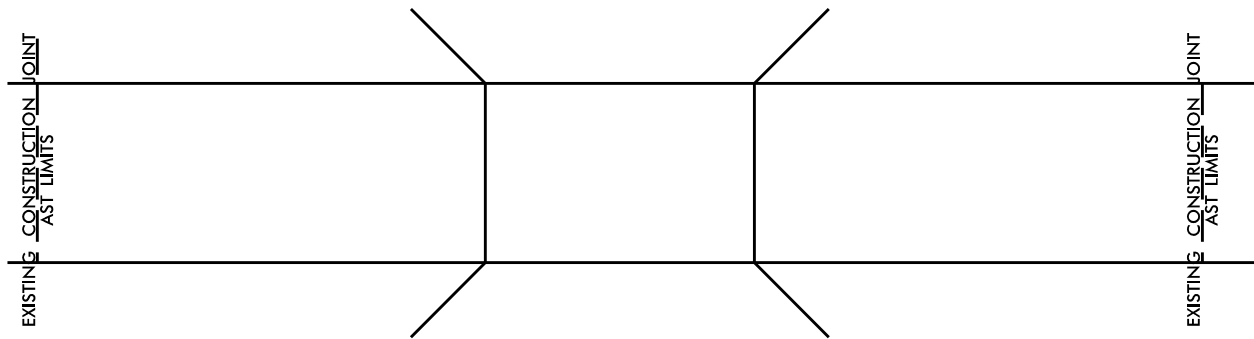
SYSTEM:DCN  
 USER:DCN  
 DATE:08/05/2022  
 TIME:10:00:00  
 PAGE:4





SYSTEMS  
 RECORDS  
 DIVISION  
 USE NAME

***DETAILS***



**BRIDGE DRAWING FOR**  
**MAP 3 SR 2911 BRIDGE NO. 359**  
**MAP 4 SR 2903 BRIDGE NO. 215**  
**MAP 10 SR 2101 BRIDGE NO. 104**  
**DO NOT PAVE BRIDGES**

**BRIDGE DRAWING FOR**  
**MAP 3 SR 2911 BRIDGE NO. 217**  
**MAP 15 SR 2403 BRIDGE NO. 126**  
**MAP 18 SR 2863 BRIDGE NO. 305**  
**PAVE BRIDGES**

PROJECT NO.	SHEET NO.	TOTAL NO.
2022CPT.08.05.20762	8	

## SUMMARY OF QUANTITIES

PROJECT NO	COUNTY	MAP NO	ROUTE	DESCRIPTION	TYP NO	LANES	LANE TYPE	FINAL SURFACE TESTING REQUIRED	WARM MIX ASPHALT REQUIRED	LENGTH	WIDTH	1803500000-E	1820000000-E	1838000000-E	1838500000-N	2143000000-E		
												ASPHALT SURFACE TREATMENT, DOUBLE SEAL	ASPHALT SURFACE TREATMENT, FOG SEAL	EMULSION FOR ASPHALT SURFACE TREATMENT	VACUUM TRUCK	BLOTTING SAND		
												MI	FT	SY	SY	GAL	WK	TON
2022CPT.08.05.20762	Randolph	1	SR2827 FLETA BROWN RD.	(FROM:SR2824 PINE HILL RD. TO: END OF CUL-DE-SAC)	2	2	2WU	NO	NO	0.38	20	4,459.00	4,459.00	2,453				
<b>TOTAL FOR MAP NO. 1</b>												<b>0.38</b>		<b>4,459.00</b>	<b>4,459.00</b>	<b>2,453</b>		
2022CPT.08.05.20762	Randolph	2	SR2712 DEEP RIVER CHURCH RD.	(FROM:SR2656 HINSHAW TOWN RD. TO: NC-42E)	1	2	2WU	NO	NO	2.28	20	26,751.00		14,713				
<b>TOTAL FOR MAP NO. 2</b>												<b>2.28</b>		<b>26,751.00</b>		<b>14,713</b>		
2022CPT.08.05.20762	Randolph	3	SR2911 KEMP MILL RD.	(FROM:NC-42 E. TO:OLD NC-13)	1	2	2WU	NO	NO	2.01	20	23,584.00		12,971				
<b>TOTAL FOR MAP NO. 3</b>												<b>2.01</b>		<b>23,584.00</b>		<b>12,971</b>		
2022CPT.08.05.20762	Randolph	4	SR2903 OSBORN MILL RD.	(FROM:SR2904 OLD BACHELOR CREEK RD. TO:SR2911 KEMP MILL RD.)	1	2	2WU	NO	NO	2.88	20	33,792.00		18,586				
<b>TOTAL FOR MAP NO. 4</b>												<b>2.88</b>		<b>33,792.00</b>		<b>18,586</b>		
2022CPT.08.05.20762	Randolph	5	SR2898 FARMSTEAD RD.	(FROM:SR2900 LITTLE BEANE STORE RD. TO:SR2896 PICKETTS MILL RD.)	1	2	2WU	NO	NO	1.29	20	15,136.00		8,325				
<b>TOTAL FOR MAP NO. 5</b>												<b>1.29</b>		<b>15,136.00</b>		<b>8,325</b>		
2022CPT.08.05.20762	Randolph	6	SR2876 CURTIS POWERS RD.	(FROM:SR2877 HOWARD MILL RD. TO:SR1002 BENNETT RD.)	1	2	2WU	NO	NO	1.55	21	19,096.00		10,503				
<b>TOTAL FOR MAP NO. 6</b>												<b>1.55</b>		<b>19,096.00</b>		<b>10,503</b>		
2022CPT.08.05.20762	Randolph	7	SR2641 LAMBETH MILL RD.	(FROM:CHATHAM COUNTY LINE TO:SR1005 LANES MILL RD.)	1	2	2WU	NO	NO	2.08	21	48,169.00		26,493				
<b>TOTAL FOR MAP NO. 7</b>												<b>2.08</b>		<b>48,169.00</b>		<b>26,493</b>		
2022CPT.08.05.20762	Randolph	8	SR2652 CONCORD CHURCH RD.	(FROM:NC-42 E TO: NC-22 S)	1	2	2WU	NO	NO	0.2	20	2,347.00		1,291				
<b>TOTAL FOR MAP NO. 8</b>												<b>0.2</b>		<b>2,347.00</b>		<b>1,291</b>		
2022CPT.08.05.20762	Randolph	9	SR 2207 FAITH ROCK RD.	(FROM:US-64 E TO: SR2235 ANDREW HUNTER RD.)	1	2	2WU	NO	NO	1.98	21	24,394.00		13,416				
<b>TOTAL FOR MAP NO. 9</b>												<b>1.98</b>		<b>24,394.00</b>		<b>13,416</b>		
2022CPT.08.05.20762	Randolph	10	SR2101 BRANSON MILL RD.	(FROM:GUILFORD CO. LINE TO: US-220 BUS N.)	1	2	2WU	NO	NO	2.47	21	30,429.00		16,736				
<b>TOTAL FOR MAP NO. 10</b>												<b>2.47</b>		<b>30,429.00</b>		<b>16,736</b>		
2022CPT.08.05.20762	Randolph	11	SR1933 LEWIS DAVIS RD.	(FROM:SR1926 DAVIS COUNTRY RD. TO:SR1934 STEED RD.)	1	2	2WU	NO	NO	0.98	20	11,498.00		6,324				
<b>TOTAL FOR MAP NO. 11</b>												<b>0.98</b>		<b>11,498.00</b>		<b>6,324</b>		
2022CPT.08.05.20762	Randolph	12	SR1929 SPENCER RD.	(FROM:DEAD END. TO: CUL-DE-SAC.)	2	2	2WU	NO	NO	1.55	21	19,096.00	19,096.00	10,503				
<b>TOTAL FOR MAP NO. 12</b>												<b>1.55</b>		<b>19,096.00</b>	<b>19,096.00</b>	<b>10,503</b>		
2022CPT.08.05.20762	Randolph	13	SR2034 HOHN DAVIS RD.	(FROM:SR1926 DAVIS COUNTRY RD. TO: END OF CUL-DE-SAC)	1	2	2WU	NO	NO	0.74	20	9,550.00		5,253				
<b>TOTAL FOR MAP NO. 13</b>												<b>0.74</b>		<b>9,550.00</b>		<b>5,253</b>		
2022CPT.08.05.20762	Randolph	14	SR1568 DEATON RD.	(FROM:SR1566 FAIRVIEW CHURCH RD. TO:SR1567 ROBBINS COUNTRY RD.)	1	2	2WU	NO	NO	0.97	20	11,380.00		6,259				
<b>TOTAL FOR MAP NO. 14</b>												<b>0.97</b>		<b>11,380.00</b>		<b>6,259</b>		
2022CPT.08.05.20762	Randolph	15	SR2403 OLD RED CROSS RD.	(FROM:SR2407 SHILOH RD. TO:NC22 N)	1	2	2WU	NO	NO	2.02	21	27,375.00		15,057				
<b>TOTAL FOR MAP NO. 15</b>												<b>2.02</b>		<b>27,375.00</b>		<b>15,057</b>		
2022CPT.08.05.20762	Randolph	16	SR2407 COLONIAL TRADING PATH	(FROM:GUILFORD COUNTY LINE TO: US-421)	1	2	2WU	NO	NO	0.41	20	5,290.00		2,910				
<b>TOTAL FOR MAP NO. 16</b>												<b>0.41</b>		<b>5,290.00</b>		<b>2,910</b>		
2022CPT.08.05.20762	Randolph	17	SR2407 SHILOH RD.	(FROM:US-421 TO: US-421)	1	2	2WU	NO	NO	2.56	21	34,691.00		19,081				
<b>TOTAL FOR MAP NO. 17</b>												<b>2.56</b>		<b>34,691.00</b>		<b>19,081</b>		
2022CPT.08.05.20762	Randolph	18	SR2863 UNION GROVE CHURCH RD.	(FROM: S NC HWY 705 TO:SR1002 FORK CREEK MILL RD.)	1	2	2WU	NO	NO	3.8	20	44,608.00		24,534				
<b>TOTAL FOR MAP NO. 18</b>												<b>3.8</b>		<b>44,608.00</b>		<b>24,534</b>		
<b>TOTAL FOR PROJ NO. 2022CPT.08.05.20762</b>												<b>30.15</b>		<b>391,645.00</b>	<b>23,555.00</b>	<b>215,408</b>	<b>20.00</b>	<b>100</b>
<b>GRAND TOTAL</b>												<b>30.15</b>		<b>391,645.00</b>	<b>23,555.00</b>	<b>215,408</b>	<b>20.00</b>	<b>100</b>



PROJECT NO.	SHEET NO.	TOTAL NO.
2022CPT.08.05.20762	9	

## THERMOPLASTIC AND PAINT QUANTITIES

PROJECT NO	COUNTY	MAP NO	ROUTE	DESCRIPTION	TYP NO	LANES	LANE TYPE	441300000-E		445700000-N	
								WORK ZONE ADVANCE/GENERAL WARNING SIGNING	TEMPORARY TRAFFIC CONTROL		
								MI	FT	SF	LS
2022CPT.08.05.20762	Randolph	1	SR2827 FLETA BROWN RD.	(FROM:SR2824 PINE HILL RD. TO: END OF CUL-DE-SAC)	2	2	2WU	0.38	20	43	
<b>TOTAL FOR MAP NO. 1</b>								<b>0.38</b>		<b>43</b>	
2022CPT.08.05.20762	Randolph	2	SR2712 DEEP RIVER CHURCH RD.	(FROM:SR2656 HINSHAW TOWN RD. TO: NC-42E)	1	2	2WU	2.28	20	255	
<b>TOTAL FOR MAP NO. 2</b>								<b>2.28</b>		<b>255</b>	
2022CPT.08.05.20762	Randolph	3	SR2911 KEMP MILL RD.	(FROM:NC-42 E. TO:OLD NC-13)	1	2	2WU	2.01	20	225	
<b>TOTAL FOR MAP NO. 3</b>								<b>2.01</b>		<b>225</b>	
2022CPT.08.05.20762	Randolph	4	SR2903 OSBORN MILL RD.	(FROM:SR2904 OLD BACHELOR CREEK RD. TO:SR2911 KEMP MILL RD.)	1	2	2WU	2.88	20	323	
<b>TOTAL FOR MAP NO. 4</b>								<b>2.88</b>		<b>323</b>	
2022CPT.08.05.20762	Randolph	5	SR2898 FARMSTEAD RD.	(FROM:SR2900 LITTLE BEANE STORE RD. TO:SR2896 PICKETTS MILL RD.)	1	2	2WU	1.29	20	144	
<b>TOTAL FOR MAP NO. 5</b>								<b>1.29</b>		<b>144</b>	
2022CPT.08.05.20762	Randolph	6	SR2876 CURTIS POWERS RD.	(FROM:SR2877 HOWARD MILL RD. TO:SR1002 BENNETT RD.)	1	2	2WU	1.55	21	173	
<b>TOTAL FOR MAP NO. 6</b>								<b>1.55</b>		<b>173</b>	
2022CPT.08.05.20762	Randolph	7	SR2641 LAMBETH MILL RD.	(FROM:CHATHAM COUNTY LINE TO:SR1005 LANES MILL RD.)	1	2	2WU	2.08	21	233	
<b>TOTAL FOR MAP NO. 7</b>								<b>2.08</b>		<b>233</b>	
2022CPT.08.05.20762	Randolph	8	SR2652 CONCORD CHURCH RD.	(FROM:NC-42 E TO: NC-22 S)	1	2	2WU	0.2	20	22	
<b>TOTAL FOR MAP NO. 8</b>								<b>0.2</b>		<b>22</b>	
2022CPT.08.05.20762	Randolph	9	SR 2207 FAITH ROCK RD.	(FROM:US-64 E TO: SR2235 ANDREW HUNTER RD.)	1	2	2WU	1.98	21	222	
<b>TOTAL FOR MAP NO. 9</b>								<b>1.98</b>		<b>222</b>	
2022CPT.08.05.20762	Randolph	10	SR2101 BRANSON MILL RD.	(FROM:GUILFORD CO. LINE TO: US-220 BUS N.)	1	2	2WU	2.47	21	277	
<b>TOTAL FOR MAP NO. 10</b>								<b>2.47</b>		<b>277</b>	
2022CPT.08.05.20762	Randolph	11	SR1933 LEWIS DAVIS RD.	(FROM:SR1926 DAVIS COUNTRY RD. TO:SR1934 STEED RD.)	1	2	2WU	0.98	20	110	
<b>TOTAL FOR MAP NO. 11</b>								<b>0.98</b>		<b>110</b>	
2022CPT.08.05.20762	Randolph	12	SR1929 SPENCER RD.	(FROM:DEAD END. TO: CUL-DE-SAC.)	2	2	2WU	1.55	21	174	
<b>TOTAL FOR MAP NO. 12</b>								<b>1.55</b>		<b>174</b>	
2022CPT.08.05.20762	Randolph	13	SR2034 HOHN DAVIS RD.	(FROM:SR1926 DAVIS COUNTRY RD. TO: END OF CUL-DE-SAC)	1	2	2WU	0.74	20	100	
<b>TOTAL FOR MAP NO. 13</b>								<b>0.74</b>		<b>100</b>	
2022CPT.08.05.20762	Randolph	14	SR1568 DEATON RD.	(FROM:SR1566 FAIRVIEW CHURCH RD. TO:SR1567 ROBBINS COUNTRY RD.)	1	2	2WU	0.97	20	109	
<b>TOTAL FOR MAP NO. 14</b>								<b>0.97</b>		<b>109</b>	
2022CPT.08.05.20762	Randolph	15	SR2403 OLD RED CROSS RD.	(FROM:SR2407 SHILOH RD. TO:NC22 N)	1	2	2WU	2.02	21	227	
<b>TOTAL FOR MAP NO. 15</b>								<b>2.02</b>		<b>227</b>	
2022CPT.08.05.20762	Randolph	16	SR2407 COLONIAL TRADING PATH	(FROM:GUILFORD COUNTY LINE TO: US-421)	1	2	2WU	0.41	20	46	
<b>TOTAL FOR MAP NO. 16</b>								<b>0.41</b>		<b>46</b>	
2022CPT.08.05.20762	Randolph	17	SR2407 SHILOH RD.	(FROM:US-421 TO: US-421)	1	2	2WU	2.56	21	287	
<b>TOTAL FOR MAP NO. 17</b>								<b>2.56</b>		<b>287</b>	
2022CPT.08.05.20762	Randolph	18	SR2863 UNION GROVE CHURCH RD.	(FROM: S NC HWY 705 TO:SR1002 FORK CREEK MILL RD.)	1	2	2WU	3.8	20	426	
<b>TOTAL FOR MAP NO. 18</b>								<b>3.8</b>		<b>426</b>	*
<b>TOTAL FOR PROJ NO. 2022CPT.08.05.20762</b>								<b>30.15</b>		<b>3,396</b>	<b>1</b>
<b>GRAND TOTAL</b>								<b>30.15</b>		<b>3,396</b>	<b>1</b>